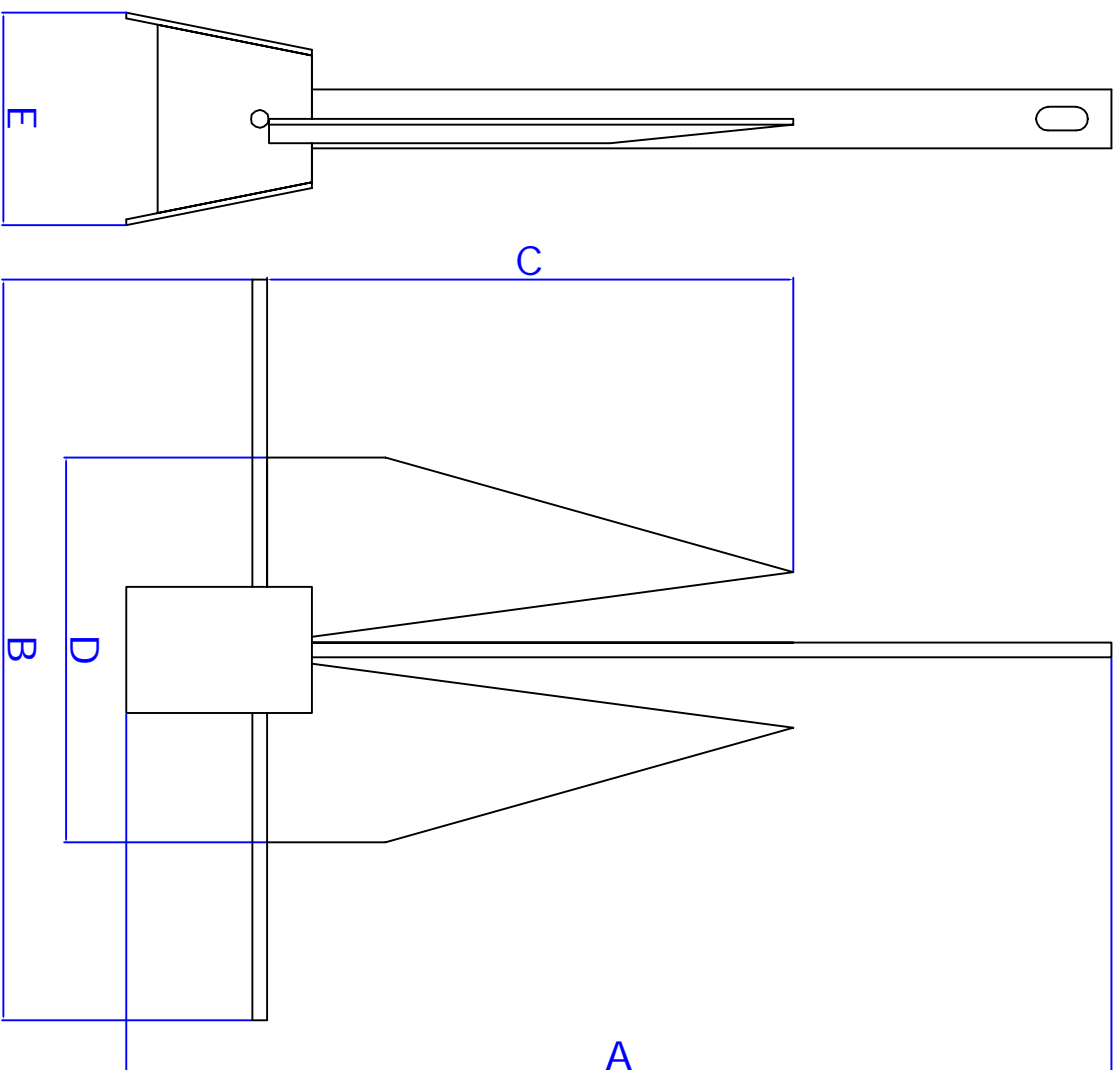


Sand Anchor Dimensions



	A	B	C	D	E	KG
3s	395	300	205	180	80	1.5
4s	485	370	255	220	95	2.2
6s	540	410	290	240	105	2.7
8s	595	450	320	265	120	3.7
10s	650	500	350	305	130	5.0
13s	700	535	375	315	140	6.6
18s	795	610	415	325	155	10.0
22s	860	680	450	355	170	12.8
30s	935	760	475	385	190	19.3
40s	1015	775	540	465	225	25
50s	1045	825	540	540	240	36
60s	1070	850	540	540	250	44
80s	1160	960	600	630	255	57.5
90s	1255	1045	665	650	290	75

REVISIONS:		NOTES:	
1	REVISED	DATE:	BY:
2		PAPER SIZE:	A4
3		DATE ISSUED:	07/05
4		CLIENT REF:	CLIENT 1
		MAT. CO. REF:	Gen. Spec. Dmna

Manson Sand Anchor
Dimensions 2011



MANSON ANCHORS LTD
 Mail: PO Box 104 035, Lincoln North
 Physical: 14 Paramount Drive
 Henderson, Auckland
 New Zealand
 P: +649 835 0968 F: +649 835 0481
 E: steve@mansonanchors.co.nz www.mansonanchors.com